



- Dimension (W x L x H): 100 x 220 x 40 mm
- Maximum Output Power: 440W/480W



INPUT CHARACTERISTICS

RATED VOLTAGE / CURRENT	100-140Vac / 5.5A - 4A 180-240Vac / 3.5A - 2.5A
RATED FREQUENCY	50-60HZ
INRUSH CURRENT	Less than 25A
POWER FACTOR	0.99 (Typical)

DC OUTPUT CHARACTERISTICS

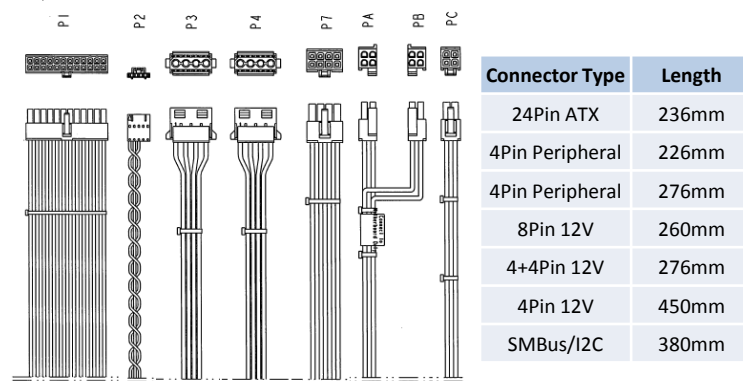
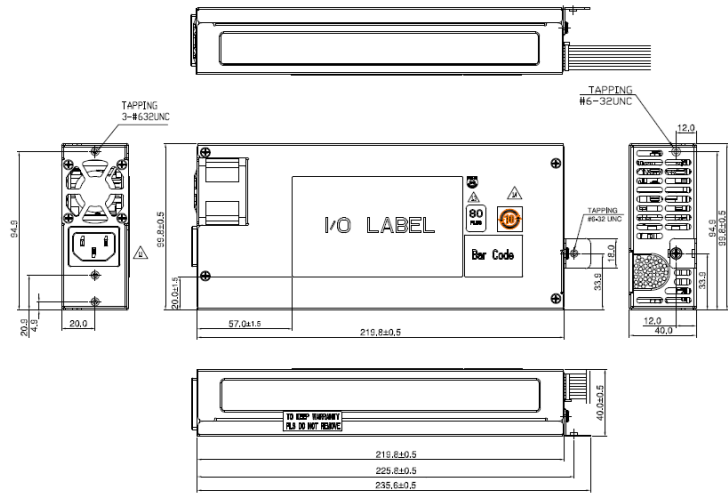
OUTPUT VOLTAGE AND MAXIMUM OUTPUT CURRENT	+12V: 35.8A (100-140Vac) +12V: 39.1A (180-240Vac) +5V: 18A +3.3V: 15A -12V: 0.5A +5Vsb: 3A Note: +5V and +3.3V Combined power is 100W max.
EFFICIENCY	80Plus Platinum Level Certified
REGULATION	+3.3V/+5V/+12V/+5Vsb: +/-5% -12V: +/-10%
RIPPLE & NOISE	+3.3V/+5V/+5Vsb: 50mV +12V/-12V: 120mV
OUTPUT CONNECTOR	24pin/8pin/4+4pin/4Pin Peripheral
HOLD UP TIME	PWOK 17ms at 75% of max Loading V _{out} 18ms at 75% of max loading

GENERAL SPECIFICATIONS

MTBF	>200,000hours, 35 °C
LEAKAGE CURRENT	Less than 3.5mA
COOLING	4028 PWM Controlled Ball Bearing Fan
PROTECTION	Output Over Current/Voltage, Short Circuit, Over Temperature, Input Under Voltage
REMOTE MANAGEMENT	PMBus 1.2, SMBus Support

Features and Benefits:

- Platinum Efficiency
- PMbus Support for Remote Management
- 17ms Hold up Time
- Optimized for Datacenter Application



REGULATORY

SAFETY COMPLIANCE	UL60950-1/CSA 60950-1 EN60950-1 IEC60950-1 CB Report CE Low Voltage Directive BSMI CCC (2000m)
EMC	FCC/CISPR Class B

ENVIRONMENTAL SPECIFICATIONS

AMBIENT TEMPERATURE	Operating: 0 to 50 °C Non-Operating: -10 to 70 °C
OPERATING ALTITUDE	Operating: to 3000m Non-Operating: to 10580m
RELATIVE HUMIDITY	Operating: 20% to 90% (non-condensing) Non-Operating: 5% to 95% (non-condensing)

Disclaimer: Specification is subject to change without prior notice