



Dual 2.5" SAS/SATA Drive Kit (MCP-220-83608-0N)

Quick Installation Guide

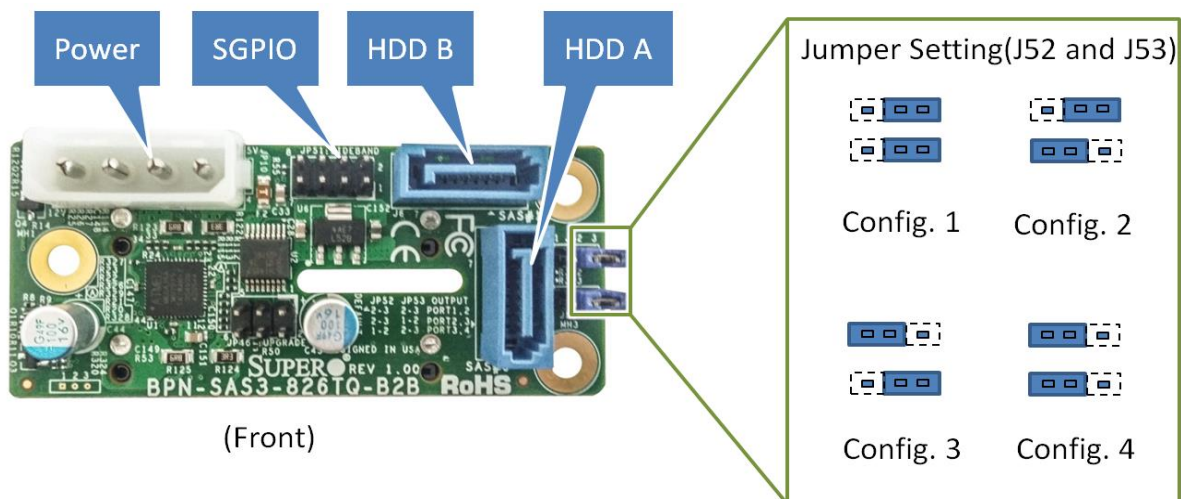
The kit provides additional storage for Supermicro's Superchassis. Key features include:

- Dual 2.5" hot-swappable capacity; support 12 Gbps/SAS3 and 6 Gbps/SATA3.
- 4 SAS/SATA port settings (backward compatible with 6G version; MCP-220-83605-0N) to support SGPIO for Fail/Locate LED indicators.
- 2.5" tool-less drive trays. Compatible with 836B/835B chassis and others.

Packing List:

Part Number	Description	Quantity
CBL-0234L	4-pin power supply Y-cable (15 cm)	1
CBL-0481L	SATA S-S cable (81 cm)	2
CBL-CDAT-0841	8 pin-to-8 pin SGPIO cable (81 cm)	1
MCP-220-00117-0B	2.5" hot-swappable tool-less drive tray	2
BPN-SAS3-826TQ-B2B	12G backplane for 2.5" SAS/SATA drives	1
Misc.	Metal cage, side bracket, screws and stickers	-
Optional 12G cable:		
CBL-SAST-0699	Internal mini SAS HD to 4 SATA cable (12G, 75/75/90/90cm with 75cm SB, S. 30AWG)	

SAS/SATA Port Jumper Settings:



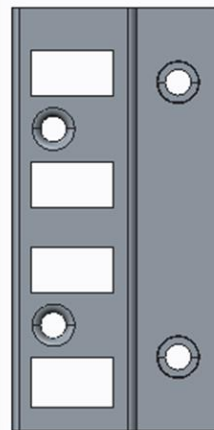
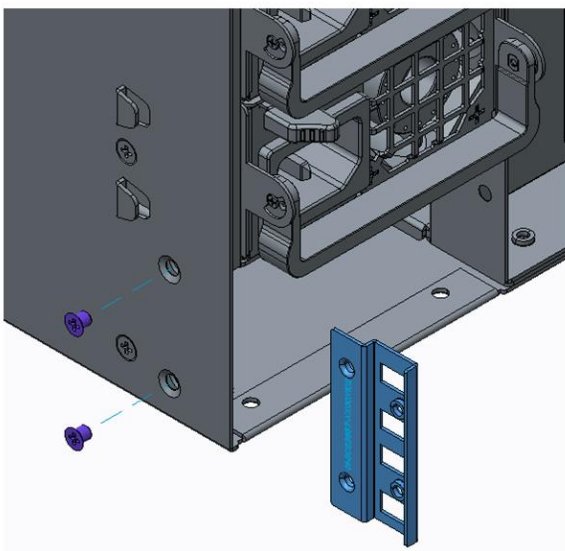
Configuration	J52	J53	HDD A (Bottom)	HDD B (Top)
1 (default)	Pin 2 - 3	Pin 2 - 3	SAS/SATA #0	SAS/SATA #1
2	Pin 2 - 3	Pin 1 - 2	SAS/SATA #1	SAS/SATA #2
3	Pin 1 - 2	Pin 2 - 3	SAS/SATA #2	SAS/SATA #3
4	Pin 1 - 2	Pin 1 - 2	ANY (No Fail LED)	ANY (No Fail LED)

Note: The **jumper setting** needs to match the corresponding SGPIO header. If the setting is incorrect, the fail LEDs will not function properly. For details, please refer to the motherboard manual.

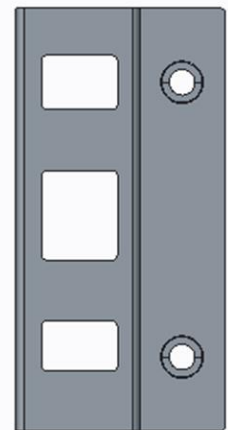
Installation:

1. Replace side bracket in your chassis with the new version included in the kit.

Note: For older chassis that the side bracket is **riveted**, this 12G kit is **not** supported.



for MCP-220-83605-0N
(OLD, for 6G)



for MCP-220-83608-0N
(NEW, for 12G)

2. Connect SATA cables, SGPIO cable and power cable.
3. Install kit to the chassis (mounting location may vary depending on the chassis models).
4. Install drives to the tool-less drive trays.
5. Install drive trays to complete installation.