



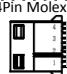



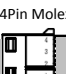
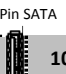
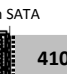
Features and Benefits:

- 80Plus Bronze Efficiency
- Optimized for Workstations and Desktop Application
- 17ms Hold up time



- Dimension (W x L x H): 150 x 140 x 86 mm
- Maximum Output Power: 300W



Connector type	Cable Length (mm)
24PIN ATX	 330
4PIN 12V	 360
PERIPHERAL	 240  100  410
PERIPHERAL	 150  240  100  410

INPUT CHARACTERISTICS	
RATED VOLTAGE / CURRENT	100-240Vac / 6A max
RATED FREQUENCY	50-60HZ
POWER FACTOR	0.98 (Typical)

DC OUTPUT CHARACTERISTICS				
	Output Voltage	Min Output Current	Max Output Current	Peak Output Current
OUTPUT VOLTAGE & CURRENT	+3.3V	0.1A	12A	
	+5V	0.1A	138A	
	+12Va	0.2A	12A	16A(10ms)
	+12Vb	0.2	16A	18A (10ms)
	-12V	0A	0.3A	
	+5Vsb	0A	2A	2.5A(10s)
+5V and +3.3V combination power shall not exceed 103W				
+12V and +5V combination power shall not exceed 262W				
+12Va and +12Vb combination power shall not exceed 216W				

EFFICIENCY	80Plus Bronze
REGULATION	+3.3V/+5V/+12V/+5Vsb: +/-5% -12V: +/-10%
RIPPLE & NOISE	+3.3V/+5V/+5Vsb: 50mV +12Va/+12Vb/-12V: 120mV
OUTPUT CONNECTOR	24pin ATX/4pin 12V/HDD/SATA/Floppy
HOLD UP TIME	PWOK 17ms at 75% of max Loading Vout 18ms at 75% of max loading

GENERAL SPECIFICATIONS	
MTBF	>200,000hours, 35 °C
POWER CONTROL	PSON signal is to remote turn ON/OFF the power supply
PROTECTION	OCP, OVP, Short Circuit, Over Temperature, Input Under Voltage
LEAKAGE CURRENT	Less than 3.5mA

REGULATORY	
SAFETY & COMPLIANCE	UL60950-1/CSA 60950-1 EN60950-1 IEC60950-1
	CB Report CE Low Voltage Directive BSMI CCC
	EMC

ENVIRONMENTAL SPECIFICATIONS	
AMBIENT TEMPERATURE	Operating: 5 to 45 °C Non-Operating: -40 to 70 °C
OPERATING ALTITUDE	Operating: to 3049m Non-Operating: to 10580m
RELATIVE HUMIDITY	Operating: 20% to 90% (non-condensing) Non-Operating: 5% to 95% (non-condensing)

Disclaimer: Specification is subject to change without prior notice